

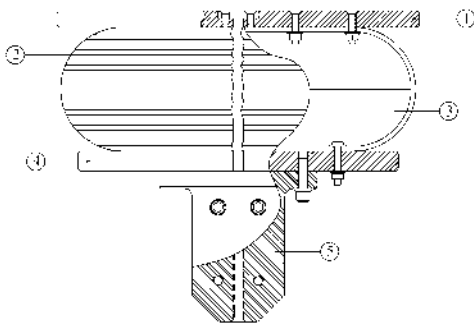
MMP Stoppers

Application: MMP Stoppers clamp onto the mooring wire at the upper and lower limits of the planned profile to provide a physical back-up to the pressure-triggered stop command programmed in the firmware.

MMP Stopper Features and Benefits



- ❖ **Quickly** attaches and releases from the **wire** with split bumper plates and a two-part line clamp.
- ❖ Stoppers are available for **3/16"**, **1/4"** and **5/16"** jacketed wire sizes.
- ❖ **Supports** the MMP during **deployment** and **recovery**.



LEGEND

1. Split Bumper Face Plate (UHMW)
2. Rubber Bumper
3. Foamex Polyurethane Filling
4. Split Bumper Back Plate (UHMW)
5. Two-Part Line Clamp

Specifications Subject to Change without Notice