



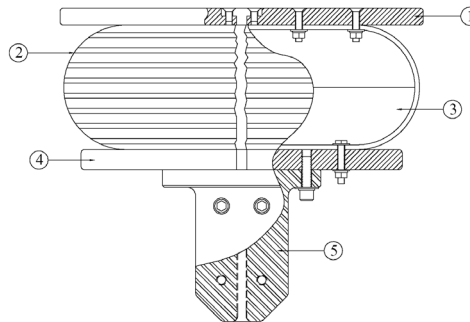
## Profiler Stoppers

### Application:

Stoppers clamp onto the mooring wire at the upper and lower limits of the planned profile to provide a physical back-up to the pressure-triggered stop command programmed in the firmware.

### Stopper Specifications:

- Quickly attaches and releases from the wire with split bumper plates and a two-part line clamp.
- Stoppers are available for 3/16", 1/4" and 5/16" jacketed wire sizes
- Supports the Profiler during deployment and recovery.
- For more information about this product, see the McLane Profiler pages at [mclanelabs.com](http://mclanelabs.com).



### LEGEND

1. Split Bumper Face Plate (UHMW)
2. Rubber Bumper
3. Foamex Polyurethane Filling
4. Split Bumper Back Plate (UHMW)
5. Two-Part Line Clamp